



PRO GUIDE

/ MINT

CONTENT

1	Introduction	3
2	Description	4
3	Technical Data	5
4	Line System	5
5	Acceleration System	6
6	Flight Techniques and Characteristics	6
7	Descent Techniques	7
8	Extreme Flight	8
9	Materials	8
10	Trim Check	9
11	Homologation	9
12	Closing Words	10
13	Line Schematic	11
14	Line Length	11
15	Risers	12
16	Overview Glider	13
17	Packing instructions	14
18	Test Protocol	16



1 INTRODUCTION

Welcome to skywalk!

Congratulations on the purchase of your new MINT and thank you for your trust in us and in our products. In this manual you will find product-specific information that will help you quickly get to know your new paraglider to ensure your fun for a long time. General information about the most important safety-relevant points for handling your paraglider can be found in the attached „BASIC GUIDE“.

We are always open for questions, comments or critique and are happy to provide you at any time with further information!

Your skywalk Team
PURE PASSION FOR FLYING

Edition 1.0 / 02_23
The latest version of the manual can be found on
www.skywalk.info

2 DESCRIPTION

The MINT was designed for experienced XC pilots as well as for competition rookies. The compact design in combination with the 2-line technology combines the easier flight characteristics of C-class gliders with the performance of higher-class wings. Furthermore you have the advantage of being able to control the wing more easily and fly it more efficiently in accelerated flight.

This makes the MINT suitable for ambitious pilots who want a wing with maximum performance, but the simpler flight characteristics of a more compact wing.

PILOT REQUIREMENTS

The MINT is for pilots who master the exit of abnormal flight conditions, who fly actively and regularly, and who understand the implications of flying a paraglider with reduced passive safety.

SCOPE OF DELIVERY

The MINT comes standard with GUARDBAG, Packing Tube and "BASIC GUIDE".



3 TECHNICAL DATA

Size	75	85	95	105	115	125
Cell number	68	68	68	68	68	68
Area flat (m ²)	20,26	21,38	22,70	24,20	25,67	26,94
Wingspan flat (m)	11,34	11,65	12,01	12,40	12,77	13,08
Aspect ratio flat	6,4	6,4	6,4	6,4	6,4	6,4
Area projected (m ²)	17,29	18,24	19,37	20,65	21,90	22,98
Wingspan projected (m)	9,22	9,48	9,76	10,08	10,38	10,64
Aspect ratio projected	4,92	4,92	4,92	4,92	4,92	4,92
min. profile depth (cm)	54	56	58	59	61	63
max. profile depth (cm)	220	226	233	240	248	254
Middle line length without risers (m)	7,08	7,28	7,50	7,74	7,97	8,17
Line consumption (m)	202	208	215	222	229	235
Weight (kg)	4,30	4,45	4,60	4,80	5,10	5,30
Take-off weight, certified from-to (kg)	55-75	65-85	75-95	85-105	95-115	105-125
Winch certified	yes	yes	yes	yes	yes	yes
JET FLAP Technology	no	no	no	no	no	no
Paramotor homologation	no	no	no	no	no	no
Accelerator	yes	yes	yes	yes	yes	yes
Maximum speed bar travel (mm)	160	160	180	180	180	180
Brake line travel max. (cm)	57	59	62	65	68	70
Trimmers	no	no	no	no	no	no
Number of seats	1	1	1	1	1	1

4 LINE SYSTEM

The layout of the suspension points is designed for optimal load distribution and a long lifespan. With all considerations and calculations however, our focus is always on safety. The mix of materials used on the lines of the MINT is an ideal combination of durability, low stretch and low drag.

The skywalk MINT has 3 A-, 3 B- and 1 stabilo line. The main-stabilo is connected with the A2-riser. The brake lines are not load-bearing and lead from the trailing edge over the main brake lines through the brake pulleys on the A2-risers to the brake handles.

A marking on the main brake line indicates the position of the handle attachment.

This setting should not be lengthened, for example, to provide more brake travel in extreme flight situations or during landing, nor shortened such that the glider is flown constantly with some brake on.

To provide a better overview and to make sorting easier, the lines have different colors:

- the A1, AII, AIII-main lines are magenta.
- the B1, BII, BIII-main lines are blue.
- the main stabilo lines are orange.
- the main brake lines are orange.

The lines are attached with loops to oval shackles and secured with plastic inserts.

The skywalk MINT has 3 risers per side:

- the A1 and AII main lines lead to the A-riser.
- the AIII main line as well as the stabilo lines lead to the A2-riser.
- the B main lines lead to the B-riser.

A schematic drawing of the risers can be found at the end of the manual.

5 ACCELERATION SYSTEM

The skywalk MINT can be equipped with a foot-operated acceleration system. The acceleration system effects the A-risers

Exact lengths of the accelerated risers can be found at the end of the manual.

B-RISER CONTROL

A handle on the B-riser allows the pilot to even out turbulence, speed and pitch while flying on speed bar without having to release the speed bar.

At trim speed, make sure to set only short, corrective impulses, otherwise there is a risk of stalling the wing due to strong inputs!

Any other adjustable, removable or variable devices are not available.

6 FLIGHT TECHNIQUES AND CHARACTERISTICS

WINCHTOWING

The skywalk MINT is well suited for winch towing. Make sure that you only use certified winches and that you climb from the ground at a flat angle.

The pilot must have had proper towing instruction and must ensure that the winch operator has had proper training that includes paragliders. When launching on a winch, always fly with a lot of feeling and don't brake too much as your glider will already have an increased angle of attack. We recommend the use of a towing adapter.

FLYING WITH A MOTOR

Currently, the MINT has no certification for flying with a motor. You can find out the current status of motor certification at any dealer or importer, or by asking skywalk directly.

You can find further information on practices and characteristics of flying in the enclosed „BASIC GUIDE“.

7 DESCENT TECHNIQUES

BIG EARS

In contrast to the spiral dive, with big ears your forward speed is higher than your sink speed. This descent method is used to quickly leave dangerous areas in a desired horizontal direction. The danger of canopy disturbances in turbulent air is greatly reduced with big ears. Proceed as follows:

- Step on the speed bar half-way, grab the outer B-lines (BIII) above the line shackle with your palms facing outward and pull the lines down carefully.
- Keep the brake handles and the outer B-lines in your hands during the maneuver.
- To recover, slowly release the B-lines. The glider usually will reinflate by itself.
- As soon as the glider is fully open, release the speed bar.

Examples:

- If the pilot is surprised near a summit with little ground clearance by strong wind or a thundercloud a spiral dive can't help.
- If the pilot is stuck in very strong lift, it is advisable to exit the lift band with the use of big ears and to find sinking air in which to lose altitude.

B-LINE STALL

This maneuver is not possible with the MINT.

For fast descent use a spiral dive or big ears.

You can find further information about descent techniques in the enclosed "BASIC GUIDE".

8 EXTREME FLIGHT

COLLAPSES

The skywalk MINT has been certified with special folding lines. The provocation of side and front collapses by pulling on the A-risers is not possible and can lead to unpredictable reactions!

You can find further information about extreme flight behavior in the enclosed "BASIC GUIDE".

9 MATERIALS

The skywalk MINT is manufactured from the highest quality materials. skywalk has selected the best possible combination of materials with regard to resilience, performance and longevity. We are aware that the durability of the glider is a deciding factor in the pilot's satisfaction. Spare parts can be obtained from skywalk.

WINGS AND RIBS

Upper sail:	Dominico TX-Light
Lower sail:	Dominico TX-Light
Ribs	Dominico TX-Light hard

LINES

A, B Main lines:	Edelrid 8001U - 470/340/190/130; Liros PPSLS 125
A, B Middle lines:	Edelrid 8001U - 230/190/90/70/50; Liros DC 60
A, B, C Top lines:	Liros DC 60, DC 35
Brake lines:	Liros DFLP 200/32, PPSLS 65, DC 35; Edelrid 8001U - 50

RISERS

Güth & Wolf webbing

PULLEYS

Ronstan ball bearing

SHACKLES

Jootech oval

10 TRIM CHECK

Since a trim change has a greater effect with two line levels, we recommend checking the trim after the first 25 flying hours.

To simplify trimming, the B-mainlines have been equipped with an additional loop, which allow the checkcenter to make a quick correction.

11 HOMOLOGATION

The MINT is certified to EN926-1, EN926-2 in the category C and to LTF II 91/09 category D. The MINT is defined as a lightweight sport aircraft with an empty weight of less than 120 kg in the paraglider category. The many homologation tests are the last hurdle in the development of a skywalk paraglider. The homologation test flights only take place when the test team is completely happy with the glider development.

We remark that the certification results will differ during flight in thermals or turbulent air. The homologation informs solely regarding the paraglider performance during extreme-flight-maneuvers performed in stable air conditions. These extreme-flight-maneuvers during the homologation process should thus not be over-valued.

Remember that certification maneuvers were carried out with a harness in the group GH with a carabiner distance (middle to middle) of 40-48 cm. If another harness is used, the glider may display flight characteristics that differ from those in the description.

FOLDING LINES

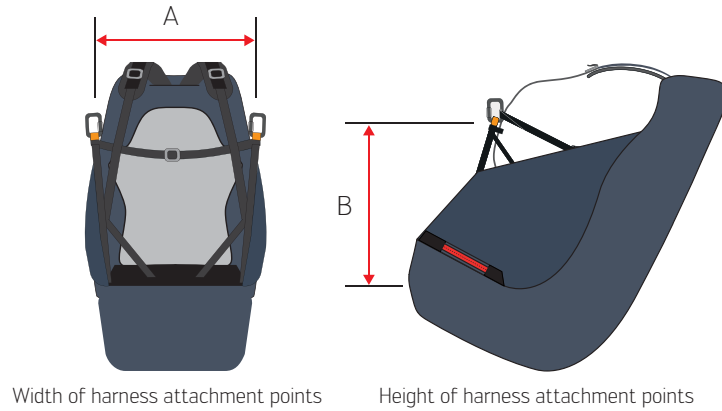
Special folding lines were used when MINT was going through certification. Without these folding lines, collapses may not behave or recover as they did in certification tests.

The folding lines have a special setting according to the homologation requirements. The folding lines are attached to special loops directly in the cell openings at the leading edge. At the lower end, the riser of the folding lines is hooked into the main carabiner. During the flight, the folding lines are loose and not under tension.

The folding line set is not part of the scope of delivery and can be ordered incl. assembly guide from your skywalk dealer.

Please contact your skywalk dealer if you have any further questions regarding use of the folding lines.

HARNESS MEASUREMENTS DURING THE TEST FLIGHTS



Total weight in flight (kg)	< 80	80-100	> 100
Width (cm-measurement ‚A‘)	40 ± 2	44 ± 2	48 ± 2
Height (cm-measurement ‚B‘)	40 ± 1	42 ± 1	44 ± 1

12 CLOSING WORDS

The skywalk MINT is at the pinnacle of paraglider development in the market for sports class gliders and shows what is possible regarding performance, safety and innovation. It cost us a lot of time to develop this glider, but it was also a lot of fun. In this development we recognize the challenge of making the right product for every area and individual taste. We are pleased if you notice this during your first flight and if you feel a certain unity with your glider from the very beginning. The MINT will provide you with plenty of joy over many years if you treat it and care for it properly. Respect for the demands and dangers of our sport are essential for successful and beautiful flights.

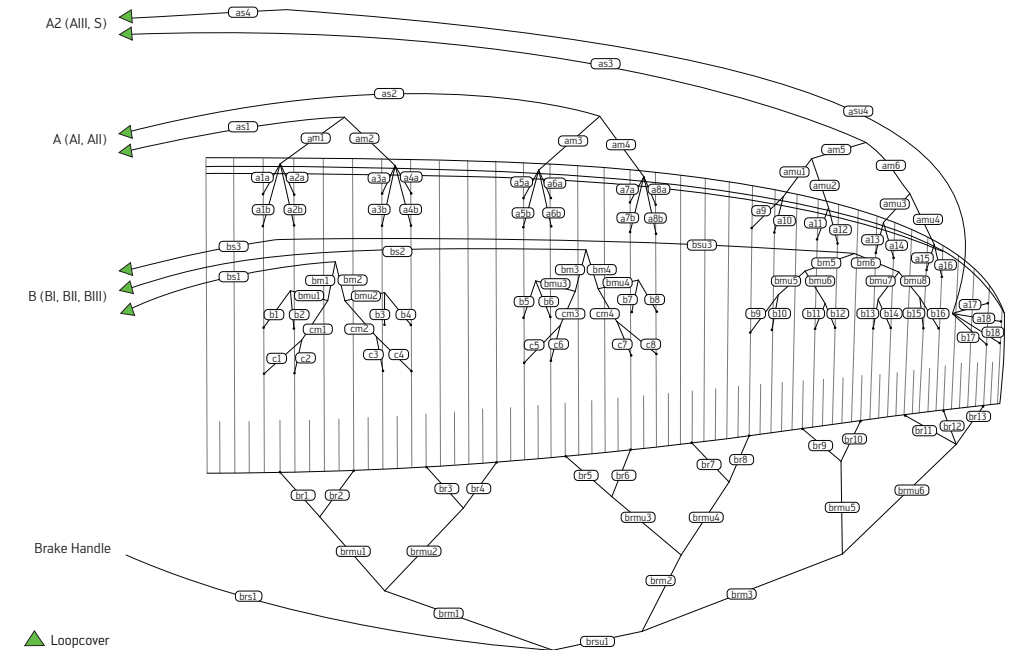
Even the safest paraglider can be dangerous due to misjudgments of meteorological conditions or pilot error. Always remember that flying sports are potentially risky and that you are responsible for your own safety. We advise you to fly carefully and to respect laws in the interest of our sport, because every pilot always flies at his or her own risk!

WE WISH YOU A LOT OF FUN WITH YOUR NEW GLIDER AND ALWAYS HAPPY LANDINGS!!

Your skywalk Team

13 LINE SCHEMATIC

This line schematic is only for illustration purposes.



14 LINE LENGTH

The total line length has to be measured under a tension of 50 N. The difference between the measured length and the original length should not exceed ± 10mm. Compliance of the test sample's suspension lines, brake lines and risers were checked by the testing laboratory after the test flights were completed.

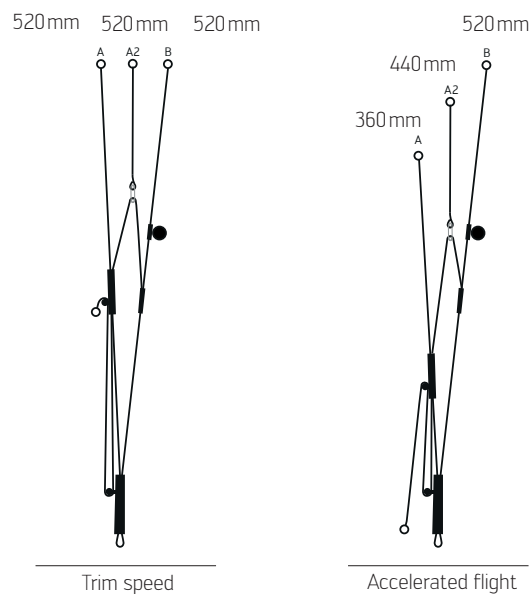
Total line length and single linge length MINT size 75, 85, 95, 105, 115 and 125:

www.skywalk.info

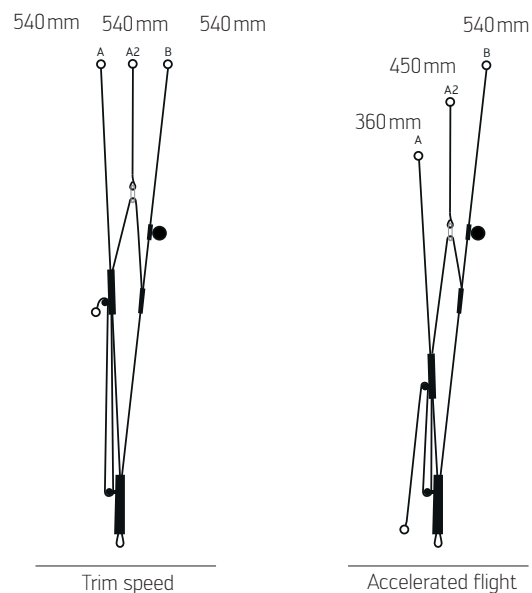
15 RISERS

The difference between the measured riser lengths and the original riser lengths should not exceed $\pm 5\text{mm}$.

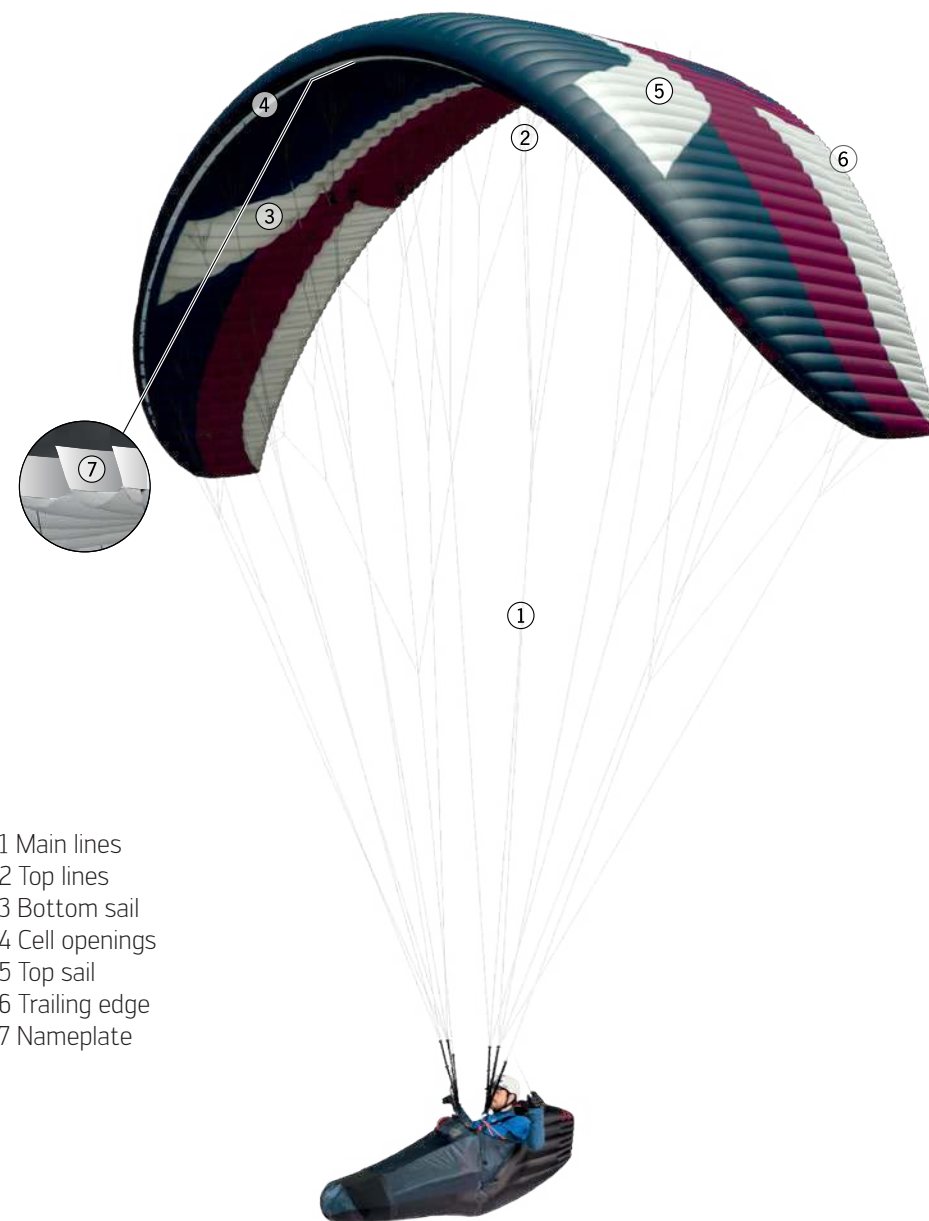
MINT, size 75 and 85



MINT, sizes 95, 105, 115 and 125



16 OVERVIEW GLIDER



- 1 Main lines
- 2 Top lines
- 3 Bottom sail
- 4 Cell openings
- 5 Top sail
- 6 Trailing edge
- 7 Nameplate

17 PACKING INSTRUCTIONS

Carefully packing your paraglider guarantees a consistently high level of quality. Stick to the packing instructions described here to protect the Rigid Foils and use the included packing tube to avoid unnecessary bending or kinking of the Rigid Foils. The supplied Guardbag simplifies the packing process.



Gather your glider and lay it next to the Guardbag. The lines should protrude out of the trailing edge. At the bottom of the Guardbag there is a riser bag, here the risers will be stowed away later. The trailing edge should be in the direction of the riser bag.



Now stack Rigid Foil on Rigid Foil, starting at the stabilo and working your way to the other stabilo.



With this technique, the glider lies together like an accordion from wing tip to wing tip and is not folded in the center of the glider. Thus, neither the center cells nor the Rigid Foils are subjected to increased stress. The openings at the leading edge must be aligned with the center of the Guardbag.



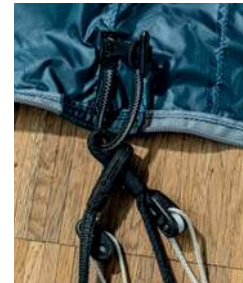
Secure the glider with the webbing straps.



Make sure that the openings at the leading edge are neatly aligned. The Rigid Foils on the stabilos must also be pulled up towards the remaining leading edge.



Now sort the rest of the canopy lengthwise to the trailing edge, making sure that the Rigid Foils lie neatly lengthwise and are not twisted.



Stow the risers into the riser bag and place the lines into the Guardbag.



Carefully close the zipper, being careful not to pinch any lines or paraglider material. Place the packing tube at the level of the second webbing strap.



Fold the leading edge over the Packing Tube. Fold the other end over the folded side.

Tip: For a particularly gentle storage, lay out the Guardbag lengthwise when not using the paraglider.

15 TEST PROTOCOL			Date:
Customer, Name:			
Adress:		Phone:	
Glider:	Size:	Serial number:	
Type certificate number:		Date of last check:	
Date of first flight:		Year of construction:	

Accomplished checking:	Results [+/-]:	Description of failure:	Suggested repairs:
Identification:	<input type="checkbox"/> + <input type="checkbox"/> -		
Visual check of canopy:			
Upper surface:	<input type="checkbox"/> + <input type="checkbox"/> -		
Lower surface:	<input type="checkbox"/> + <input type="checkbox"/> -		
Profiles:	<input type="checkbox"/> + <input type="checkbox"/> -		
Line flares:	<input type="checkbox"/> + <input type="checkbox"/> -		
Leading edge:	<input type="checkbox"/> + <input type="checkbox"/> -		
Trailing edge:	<input type="checkbox"/> + <input type="checkbox"/> -		
Crossports:	<input type="checkbox"/> + <input type="checkbox"/> -		
Visual check of lines:			
Seams:	<input type="checkbox"/> + <input type="checkbox"/> -		
Abrasion spots:	<input type="checkbox"/> + <input type="checkbox"/> -		
Core withdrawals:	<input type="checkbox"/> + <input type="checkbox"/> -		
Visual check of connectionparts:			
Suspension line screw locks:	<input type="checkbox"/> + <input type="checkbox"/> -		
Risers:	<input type="checkbox"/> + <input type="checkbox"/> -		
Length measurement:			
Risers:	<input type="checkbox"/> + <input type="checkbox"/> -		
Lines:	<input type="checkbox"/> + <input type="checkbox"/> -		
Examinations of the canopy:			
Firmness of canopy:	<input type="checkbox"/> + <input type="checkbox"/> -		
Porosity:	<input type="checkbox"/> + <input type="checkbox"/> -		

Examinations of the lines:			
Firmness of main lines:	<input type="text"/>	<input type="text"/>	<input type="text"/>
	<input type="text"/>	<input type="text"/>	<input type="text"/>
	<input type="text"/>	<input type="text"/>	daN
	Results [+/-]:	Description of failure:	Suggested repairs:
Visual check of trimming:	<input type="checkbox"/> + <input type="checkbox"/> -		
Checkflight necessary?	<input type="checkbox"/> + <input type="checkbox"/> -		
Type certificate patch?	<input type="checkbox"/> + <input type="checkbox"/> -		
Identification plate?	<input type="checkbox"/> + <input type="checkbox"/> -		
Condition:	<input type="checkbox"/> New <input type="checkbox"/> Very good condition <input type="checkbox"/> Good condition <input type="checkbox"/> Well used <input type="checkbox"/> Heavily used, but within homologation standards, frequent checks required <input type="checkbox"/> No longer airworthy, outside of the limit values.		
Repairs made?:			
Signature of tester:		Date:	
Name of tester:		Firm stamp:	

Skywalk GmbH & Co. KG

Windeckstr. 4 | 83250 Marquartstein

+49 (0) 8641/69 48 0

info@skywalk.org | www.skywalk.info

SKYWALK

   PURE PASSION FOR FLYING