



ICEPEAK X-ONE

Technical specifications

TECHNICAL DATA

ICEPEAK X-ONE			20	22	24	25	26
CELLS	NUMBER		115	115	115	115	115
ASPECT RATIO	FLAT		8	8	8	8	8
	PROJECTED		6,17	6,17	6,17	6,17	6,17
AREA	FLAT	m2	20	21,7	23	24,6	26,4
	PROJECTED	m2	17,07	18,52	19,63	20,99	22,53
CHORD	MAXIMUM	m	1,98	2,06	2,12	2,19	2,27
LINES	TOTAL	m	197	205	211	219	227
	MAIN		1+1+1/3	1+1+1/3	1+1+1/3	1+1+1/3	1+1+1/3
RISERS	NUMBER	2+2	A+A'+A''/B	A+A'+A''/B	A+A'+A''/B	A+A'+A''/B	A+A'+A''/B
	ACCELERATOR	mm	140	140	140	140	140
TOTAL WEIGHT IN FLIGHT	MIN - MAX	kg	80-95	90-105	98-112	108-120	118-133
OPTIMAL WEIGHT IN FLIGHT	MIN - MAX	kg	88-91	100-101	108-109	117-119	128-130
GLIDER WEIGHT		kg	5,9	6,06	6,32	6,65	6,91
CERTIFICATION			CCC	CCC	CCC	CCC	CCC

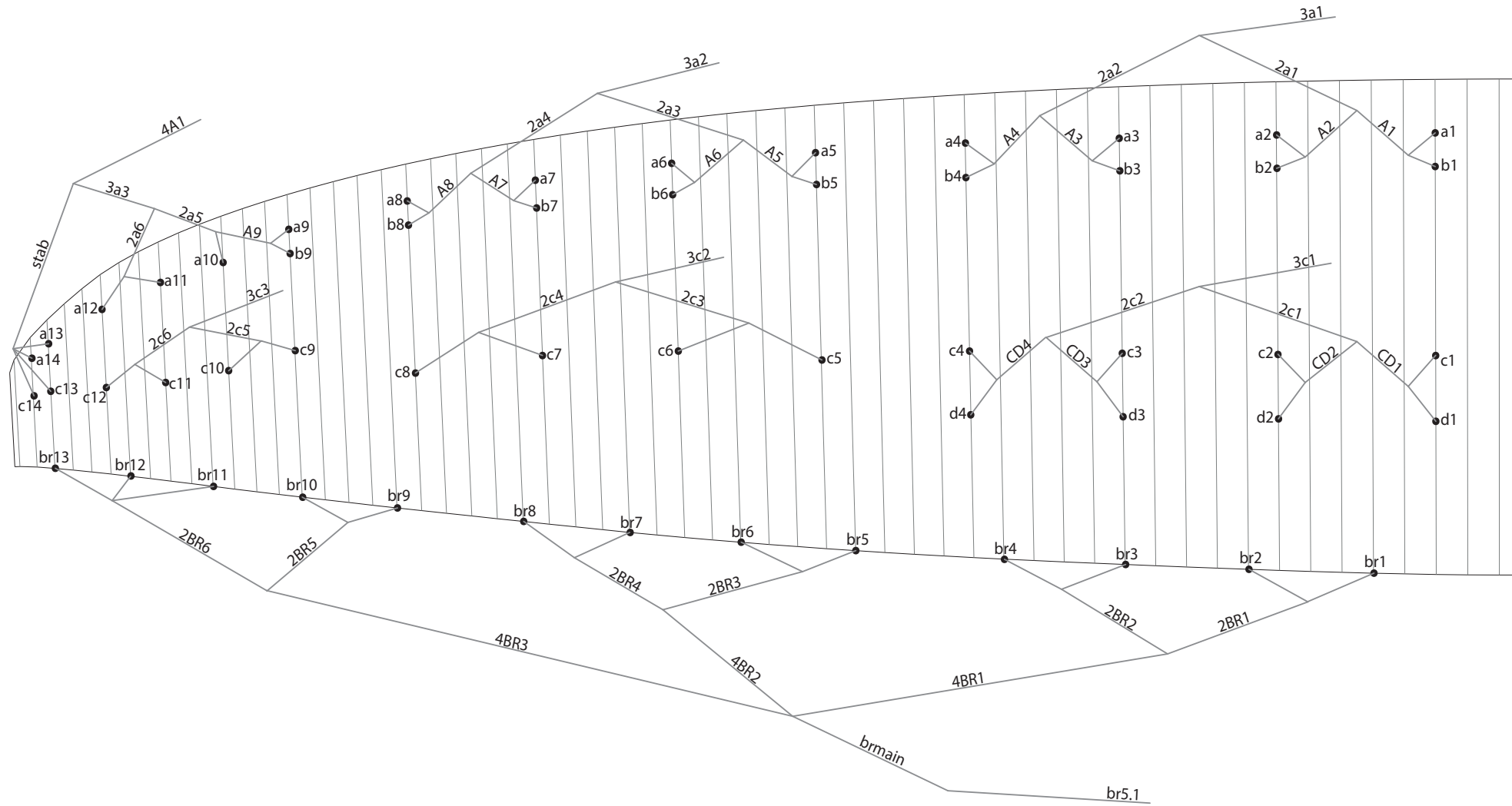
MATERIALS TECHNICAL DATA

CANOPY	FABRIC CODE	SUPPLIER
UPPER SURFACE	9017 E25/70032 E3W	PORCHER IND (FRANCE)
BOTTOM SURFACE	70000 E3H	PORCHER IND (FRANCE)
PROFILES	9017 E29	PORCHER IND (FRANCE)
DIAGONALS	9017 E29	PORCHER IND (FRANCE)
LOOPS	LKI - 10	KOLON IND. (KOREA)
REINFORCEMENT LOOPS	W-420 / RIPSTOP	D-P (GERMANY)
TRAILING EDGE REINFORCEMENT	MYLAR	D-P (GERMANY)
RIBS REINFORCEMENT	LTN-0.8/1 STICK	SPORTWARE CO.CHINA
THREAD	SERAFIL 60	AMAN (GERMANY)

SUSPENSION LINES	FABRIC CODE	SUPPLIER
UPPER CASCADES	DC - 35	LIROS GMHB (GERMANY)
UPPER CASCADES	DC - 40	LIROS GMHB (GERMANY)
UPPER CASCADES	A-8000/U 50	EDELRID (GERMANY)
UPPER CASCADES	A-8000/U 70	EDELRID (GERMANY)
MIDDLE CASCADES	DC - 35	LIROS GMHB (GERMANY)
MIDDLE CASCADES	A-8000/U 50	EDELRID (GERMANY)
MIDDLE CASCADES	A-8000/U 70	EDELRID (GERMANY)
MIDDLE CASCADES	A-8000/U 90	EDELRID (GERMANY)
MIDDLE CASCADES	A-8000/U 130	EDELRID (GERMANY)
MIDDLE CASCADES	A-8000/U 190	EDELRID (GERMANY)
MIDDLE CASCADES	A-8000/U 230	EDELRID (GERMANY)
MAIN	A-8000/U 70	EDELRID (GERMANY)
MAIN	A-8000/U 130	EDELRID (GERMANY)
MAIN	A-8000/U 190	EDELRID (GERMANY)
MAIN	A-8000/U 230	EDELRID (GERMANY)
MAIN	A-8000/U 360	EDELRID (GERMANY)
MAIN	A-8000/U 470	EDELRID (GERMANY)
MAIN BREAK	TARAX - 200	EDELRID (GERMANY)
THREAD	SERAFIL 60	AMAN (GERMANY)

RISERS	FABRIC CODE	SUPPLIER
MATERIAL	3455	COUSIN (FRANCE)
COLOR INDICATOR	210D	TECNI SANGLES (FRANCE)
THREAD	V138	COATS (ENGLAND)
MAILLONS	3.5	ANSUNG PRECISION (KOREA)
PULLEYS	RF25109	RONSTAN (AUSTRALIA)

SUSPENSION PLAN



COLORS TECHNICAL DATA

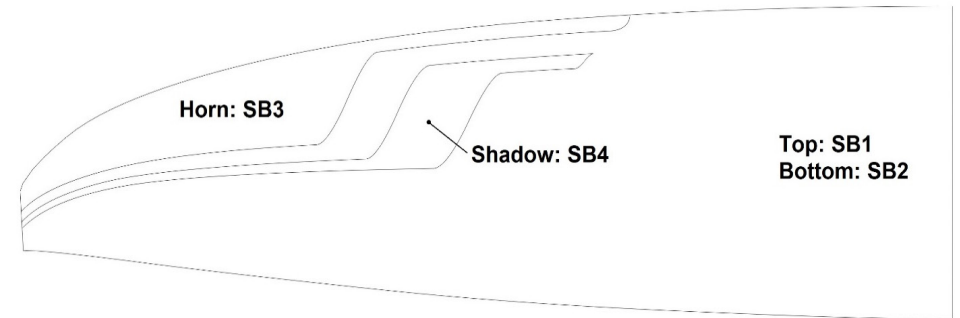
VERVE	SB1	ORANGE	TOP	REF: 744
	SB2	WHITE	BOTTOM	REF: 001
	SB3	BLACK	HORN	REF: 102
	SB4	WHITE	PRINCIPAL SHADOW	REF: 001



BOREAL	SB1	ROYAL BLUE	TOP	REF: 317
	SB2	WHITE	BOTTOM	REF: 001
	SB3	LIMA	HORN	REF: 500
	SB4	WHITE	PRINCIPAL SHADOW	REF: 001



COMET	SB1	PURPLE	TOP	REF: 240
	SB2	WHITE	BOTTOM	REF: 001
	SB3	GOLD	HORN	REF: 939
	SB4	WHITE	PRINCIPAL SHADOW	REF: 001



WING LOAD TECHNICAL DATA

ICEPEAK X-ONE

20		22		24		25		26	
P.T.V.	KG/M2	P.T.V.	KG/M2	P.T.V.	KG/M2	P.T.V.	KG/M2	P.T.V.	KG/M2
80	= 4,00	90	= 4,15	98	= 4,26	108	= 4,39	118	= 4,47
81	= 4,05	91	= 4,19	99	= 4,30	109	= 4,43	119	= 4,51
82	= 4,10	92	= 4,24	100	= 4,35	110	= 4,47	120	= 4,55
83	= 4,15	93	= 4,29	101	= 4,39	111	= 4,51	121	= 4,58
84	= 4,20	94	= 4,33	102	= 4,43	112	= 4,55	122	= 4,62
85	= 4,25	95	= 4,38	103	= 4,48	113	= 4,59	123	= 4,66
86	= 4,30	96	= 4,42	104	= 4,52	114	= 4,63	124	= 4,70
87	= 4,35	97	= 4,47	105	= 4,57	115	= 4,67	125	= 4,73
88	= 4,40	98	= 4,52	106	= 4,61	116	= 4,72	126	= 4,77
89	= 4,45	99	= 4,56	107	= 4,65	117	= 4,76	127	= 4,81
90	= 4,50	100	= 4,61	108	= 4,70	118	= 4,80	128	= 4,85
91	= 4,55	101	= 4,65	109	= 4,74	119	= 4,84	129	= 4,89
92	= 4,60	102	= 4,70	110	= 4,78	120	= 4,88	130	= 4,92
93	= 4,65	103	= 4,75	111	= 4,83			131	= 4,96
94	= 4,70	104	= 4,79	112	= 4,87			132	= 5,00
95	= 4,75	105	= 4,84					133	= 5,04

LINES TECHNICAL DATA

ICEPEAK X-ONE

20

ref.	mat.	kg	colour	mm	ref.	mat.	kg	colour	mm	ref.	mat.	kg	colour	m/m	ref.	mat.	kg	colour	mm	ref.	mat.	kg	colour	mm
a1	8000/U	70	Natural	315	b1	8000/U	50	Natural	301	c1	8000/U	50	Natural	440	d1	DC	35	Wht	539	br1	DC	35	Wht	815
a2	8000/U	70	Natural	311	b2	8000/U	50	Natural	295	c2	8000/U	50	Natural	432	d2	DC	35	Wht	532	br2	DC	35	Wht	534
a3	8000/U	70	Natural	304	b3	8000/U	50	Natural	289	c3	8000/U	50	Natural	423	d3	DC	35	Wht	520	br3	DC	35	Wht	668
a4	8000/U	70	Natural	295	b4	8000/U	50	Natural	280	c4	8000/U	50	Natural	415	d4	DC	35	Wht	506	br4	DC	35	Wht	669
a5	8000/U	70	Natural	294	b5	8000/U	50	Natural	276	c5	8000/U	50	Natural	1115						br5	DC	35	Wht	683
a6	8000/U	70	Natural	288	b6	8000/U	50	Natural	270	c6	8000/U	50	Natural	928						br6	DC	35	Wht	523
a7	8000/U	70	Natural	289	b7	8000/U	50	Natural	272	c7	8000/U	50	Natural	922						br7	DC	35	Wht	537
a8	8000/U	70	Natural	285	b8	8000/U	50	Natural	272	c8	8000/U	50	Natural	954						br8	DC	35	Wht	621
a9	DC	40	Wht	208	b9	DC	40	Wht	194	c9	DC	40	Wht	558						br9	DC	35	Wht	551
a10	DC	40	Wht	613						c10	DC	35	Wht	458						br10	DC	35	Wht	484
a11	DC	35	Wht	614						c11	DC	35	Wht	457						br11	DC	35	Wht	579
a12	DC	35	Wht	625						c12	DC	35	Wht	479						br12	DC	35	Wht	664
a13	DC	35	Wht	412						c13	DC	35	Wht	420						br13	DC	35	Wht	863
a14	DC	35	Wht	403						c14	DC	35	Wht	427										
A1	8000/U	90	Natural	1168						CD1	8000/U	50	Natural	795						2BR1	DC	35	Wht	872
A2	8000/U	90	Natural	1045						CD2	8000/U	50	Natural	643						2BR2	DC	35	Wht	542
A3	8000/U	90	Natural	1056						CD3	8000/U	50	Natural	655						2BR3	DC	35	Wht	814
A4	8000/U	90	Natural	1108						CD4	8000/U	50	Natural	747						2BR4	DC	35	Wht	739
A5	8000/U	90	Natural	1044																2BR5	DC	35	Wht	706
A6	8000/U	90	Natural	881																2BR6	DC	35	Wht	617
A7	8000/U	90	Natural	873																				
A8	8000/U	90	Natural	860																				
A9	8000/U	50	Natural	490																				
2a1	8000/U	190	Natural	1376						2c1	8000/U	90	Natural	1106						4BR1	8000/U	50	Natural	2869
2a2	8000/U	190	Natural	1340						2c2	8000/U	90	Natural	1073						4BR2	8000/U	50	Natural	2389
2a3	8000/U	190	Natural	1212						2c3	8000/U	90	Natural	978						4BR3	8000/U	50	Natural	2377
2a4	8000/U	190	Natural	1117						2c4	8000/U	90	Natural	899						brmain	8000/U	90	Natural	2311
2a5	8000/U	70	Natural	660						2c5	8000/U	50	Natural	498										
2a6	8000/U	70	Natural	604						2c6	8000/U	50	Natural	450										
stab	8000/U	50	Natural	2682																				
3a3	8000/U	90	Natural	1972																				
3a1	8000/U	360	Natural	4468						3c1	8000/U	190	Natural	4993						br5.1	TARAX	200	Red	1520
3a2	8000/U	360	Natural	4555						3c2	8000/U	190	Natural	5017										knot point: 1320
4A1	8000/U	130	Natural	3261						3c3	8000/U	70	Natural	5559										



LINES TECHNICAL DATA

ICEPEAK X-ONE

22

a1	8000/U	70	Natural	327	b1	8000/U	50	Natural	314	c1	8000/U	50	Natural	459	d1	DC	35	Wht	560	br1	DC	35	Wht	849
a2	8000/U	70	Natural	324	b2	8000/U	50	Natural	308	c2	8000/U	50	Natural	450	d2	DC	35	Wht	553	br2	DC	35	Wht	557
a3	8000/U	70	Natural	317	b3	8000/U	50	Natural	302	c3	8000/U	50	Natural	440	d3	DC	35	Wht	541	br3	DC	35	Wht	695
a4	8000/U	70	Natural	307	b4	8000/U	50	Natural	292	c4	8000/U	50	Natural	432	d4	DC	35	Wht	526	br4	DC	35	Wht	697
a5	8000/U	70	Natural	306	b5	8000/U	50	Natural	288	c5	8000/U	50	Natural	1161						br5	DC	35	Wht	711
a6	8000/U	70	Natural	300	b6	8000/U	50	Natural	282	c6	8000/U	50	Natural	966						br6	DC	35	Wht	545
a7	8000/U	70	Natural	301	b7	8000/U	50	Natural	284	c7	8000/U	50	Natural	960						br7	DC	35	Wht	559
a8	8000/U	70	Natural	297	b8	8000/U	50	Natural	284	c8	8000/U	50	Natural	994						br8	DC	35	Wht	647
a9	DC	40	Wht	217	b9	DC	40	Wht	202	c9	DC	40	Wht	581						br9	DC	35	Wht	573
a10	DC	40	Wht	639						c10	DC	35	Wht	477						br10	DC	35	Wht	504
a11	DC	35	Wht	639						c11	DC	35	Wht	476						br11	DC	35	Wht	602
a12	DC	35	Wht	651						c12	DC	35	Wht	498						br12	DC	35	Wht	691
a13	DC	35	Wht	429						c13	DC	35	Wht	438						br13	DC	35	Wht	899
a14	DC	35	Wht	420						c14	DC	35	Wht	444										

A1	8000/U	90	Natural	1215						CD1	8000/U	50	Natural	827						2BR1	DC	35	Wht	908	
A2	8000/U	90	Natural	1088						CD2	8000/U	50	Natural	669							2BR2	DC	35	Wht	566
A3	8000/U	90	Natural	1099						CD3	8000/U	50	Natural	682							2BR3	DC	35	Wht	848
A4	8000/U	90	Natural	1156						CD4	8000/U	50	Natural	779							2BR4	DC	35	Wht	771
A5	8000/U	90	Natural	1086																	2BR5	DC	35	Wht	735
A6	8000/U	90	Natural	917																	2BR6	DC	35	Wht	643
A7	8000/U	90	Natural	909																					
A8	8000/U	90	Natural	896																					
A9	8000/U	50	Natural	510																					

2a1	8000/U	190	Natural	1432						2c1	8000/U	90	Natural	1152							4BR1	8000/U	50	Natural	2986	
2a2	8000/U	190	Natural	1396						2c2	8000/U	90	Natural	1118								4BR2	8000/U	50	Natural	2489
2a3	8000/U	190	Natural	1262						2c3	8000/U	90	Natural	1019								4BR3	8000/U	50	Natural	2480
2a4	8000/U	190	Natural	1164						2c4	8000/U	90	Natural	936								brmain	8000/U	90	Natural	2481
2a5	8000/U	70	Natural	687						2c5	8000/U	50	Natural	519												
2a6	8000/U	70	Natural	630						2c6	8000/U	50	Natural	469												

stab	8000/U	50	Natural	2807																				
3a3	8000/U	90	Natural	2067																				

3a1	8000/U	360	Natural	4677						3c1	8000/U	190	Natural	5222							br5.1	TARAX	200	Red	1520
3a2	8000/U	360	Natural	4771						3c2	8000/U	190	Natural	5251										knot point:	1320
4A1	8000/U	130	Natural	3411						3c3	8000/U	70	Natural	5817											



NIVIUK ICEPEAK X-ONE 20

LINES HEIGHT + RISER mm

	A	B	C	D	br
1	7826	7812	7825	7924	8211
2	7699	7683	7665	7765	7930
3	7667	7652	7635	7732	7734
4	7710	7695	7719	7810	7735
5	7604	7586	7605		7541
6	7435	7417	7418		7381
7	7333	7316	7333		7320
8	7316	7303	7365		7404
9	7089	7075	7113		7289
10	7007		7013		7222
11	6953		6964		7227
12	6964		6986		7312
13	6866		6874		7511
14	6857		6881		

RISERS LENGHT mm

	A	A'	A''	B	
	500	500	500	500	STANDARD
	380	400	430	500	ACCELERATED

NIVIUK ICEPEAK X-ONE 22

LINES HEIGHT + RISER mm

	A	B	C	D	br
1	8150	8137	8151	8252	8568
2	8020	8004	7984	8087	8276
3	7988	7973	7953	8054	8072
4	8035	8020	8042	8136	8074
5	7925	7907	7926		7873
6	7750	7732	7731		7707
7	7645	7628	7642		7644
8	7628	7615	7676		7732
9	7390	7375	7415		7613
10	7305		7311		7544
11	7249		7260		7549
12	7261		7282		7638
13	7158		7167		7846
14	7149		7173		

RISERS LENGHT mm

	A	A'	A''	B	
	500	500	500	500	STANDARD
	360	380	380	395	ACCELERATED

NIVIUK ICEPEAK X-ONE 24

LINES HEIGHT + RISER mm

	A	B	C	D	br
1	8390	8372	8390	8494	8830
2	8255	8235	8219	8324	8530
3	8224	8205	8189	8292	8321
4	8273	8254	8282	8378	8323
5	8161	8139	8161		8117
6	7982	7960	7962		7946
7	7875	7853	7871		7883
8	7857	7841	7906		7974
9	7611	7596	7638		7851
10	7524		7530		7780
11	7466		7478		7787
12	7479		7501		7878
13	7373		7382		8093
14	7363		7388		

RISERS LENGHT mm

	A	A'	A''	B	
	500	500	500	500	STANDARD
	360	380	395	500	ACCELERATED

NIVIUK ICEPEAK X-ONE 25

LINES HEIGHT + RISER mm

	A	B	C	D	br
1	8676	8654	8676	8783	9145
2	8539	8514	8501	8609	8835
3	8507	8483	8471	8576	8619
4	8559	8536	8568	8667	8622
5	8445	8418	8444		8409
6	8259	8232	8238		8233
7	8149	8123	8144		8168
8	8132	8110	8182		8263
9	7877	7861	7902		8137
10	7786		7790		8064
11	7728		7737		8071
12	7741		7761		8166
13	7629		7638		8388
14	7619		7645		

RISERS LENGHT mm

	A	A'	A''	B	
	500	500	500	500	STANDARD
	360	380	395	500	ACCELERATED

LINES HEIGHT + RISER mm

	A	B	C	D	br
1	8989	8966	8989	9098	9487
2	8849	8824	8808	8919	9166
3	8817	8793	8778	8886	8943
4	8871	8850	8879	8980	8947
5	8764	8737	8751		8727
6	8567	8540	8538		8546
7	8447	8421	8441		8478
8	8418	8398	8480		8577
9	8170	8154	8195		8448
10	8077		8080		8373
11	8015		8024		8380
12	8029		8049		8479
13	7910		7918		8709
14	7899		7925		

RISERS LENGHT mm

	A	A'	A''	B	
	500	500	500	500	STANDARD
	360	380	395	500	ACCELERATED

SUSPENSION TECHNICAL DATA

ICEPEAK X-ONE

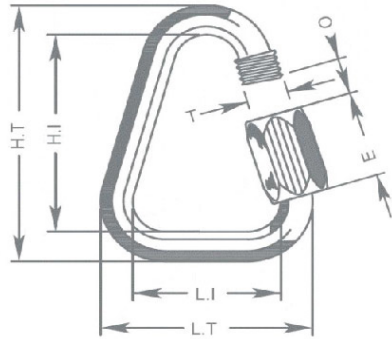
MATERIAL CODE		DC	DC	DC	A-8000/U	A-8000/U	A-8000/U	A-8000/U	A-8000/U	A-8000/U	A-8000/U	A-8000/U	TARAX
STRENGTH CODE		35	40	60	050	070	90	130	190	230	360	470	200
DIAMETER mm	Ø	0,38	0,5	0,6	0,5	0,7	0,8	0,9	1,1	1,1 X 1,4	1,4 X 1,9	1,6 X 2,2	1,7
CORE MATERIAL		DYNEEMA	DYNEEMA	DYNEEMA	ARAMID	ARAMID	ARAMID	ARAMID	ARAMID	ARAMID	ARAMID	ARAMID	DYNEEMA
SLEEVE MATERIAL		NO	NO	NO	NO	NO	NO	NO	NO	NO	NO	NO	POLYESTER
WEIGHT G/M	TOTAL	0,11	0,19	0,24	0,3	0,4	0,5	0,8	1,1	1,4	2,1	2,8	2,01
BREAKING STRENGTH	MINIMUM	35	40	60	50	70	90	130	190	230	360	470	200
	MAXIMUM	38	48	84	59	78	110	144	211	255	380	-	236
STRENGTH AFTER													
5.000 BENDING	TEST EN	33	33	74	26	39	49	88	52	69	196,6	-	217
CYCLES													
ELONGATION AT	5 DAN EN %				0,4	0,5	0,4	0,4	0,4	0,3	0,2	0,5	0,1
	10 daN en %	0,77		0,43	0,7	0,7	0,6	0,6	0,6	0,5	0,3	0,6	0,2
	15 DAN EN %				1,1	1	0,8	0,8	0,7	0,6	0,4	0,7	0,3
	20 DAN EN %				1,5	1,3	1	0,9	0,9	0,7	0,5	0,8	0,4
	25 DAN EN %				1,9	1,5	1,3	1	1	0,8	0,6	0,9	0,5
	30 DAN EN %			1,2	3,3	2,8	2,3	1,8	1,6	1,3		1,2	0,8
	75 DAN EN %					3,7	3,2	3,1	2,7	2,3	1,5	1,6	1,2
	100 DAN EN %								2,6	3,6	1,9	1,9	1,5
	125 DAN EN %								3,5	3,3		2,3	1,8
	150 DAN EN %								4,3	3,6	2,6	2,7	2,1
	175 DAN EN %											3,1	2,4
	200 DAN EN %										3,1	3,2	2,7
ELONGATION MAX. BREAKING STRENGTH %				3,2	3,8	3,9	4,3	4	4,4	4,4		5	3,2

MAILLON TECHNICAL DATA

DESCRIPTION

MAILLON	DELTA
CODE	3.5
MATERIAL	STAINLESS STEEL
SIZE	3 mm
WEIGHT	5 G/PIECE
QUANTITY	6 PIECES
INSERTS	2 GREEN / 4 BLACK

TECHNICAL SPECIFICATIONS



DIMENSIONS	mm
L.T.	22
L.I.	14
H.T.	37
H.I.	29
O	5
E	12
T	4
LOAD	kg
WORKING LIMIT	110
BREAKING	550

MATERIAL

AISI 304 STAINLESS STEEL

STANDARD

CLOSING APPLIED BY MANUAL & ENTIRE SCREWING OF THE NUT
TO GUARANTEE THE HIGHEST SAFETY (NO THREAD SHOULD BE OBVIOUS)

SYSTEMATIC CONTROL OF MAILLON QUICK-LINKS BEFORE EVERY FLIGHT

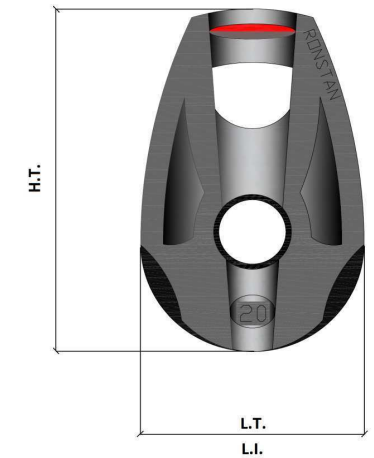
PULLEY TECHNICAL DATA

DESCRIPTION

PULLEY	20 mm
CODE	RF25109
MATERIAL	STAINLESS STEEL
	NYLON
	CARBON ACETAL
BEARING	DELRIN®
WEIGHT	9 G/PIECE

TECHNICAL SPECIFICATIONS

DIMENSIONS	mm
L.T.	20
L.I.	20
H.T.	32
Ø	6 MAX
LOAD	kg
WORKING LIMIT	250
BREAKING	550



THREAD TECHNICAL DATA**SAIL MAKING**

NAME	SERAFIL
N° OF REFERENCE	60
MATERIAL	POLYESTER
TYPE OF FINISH	SILK
LINEAR DENSITY	NM 61 / 3 (DTEX 163 * 3)
BREAKING STRENGTH	3,000 CN
ELONGATION	17,00%

SERAFIL PROPERTIES

SOLIDITY ARTIFICIAL LIGTH	ISO 105 B02 > 5 - 6
SOLIDITY SWEAT	ISO 105 E04 > 4
SOLIDITY WASHING	ISO 105 C04 > 3
SOLIDITY GRAZE IN DRY	ISO 105 X12 > 4
SOLIDITY WASHING IN DRY	ISO 105 D01 > 3 - 4

TREATMENT WATER REPELLENT	WR
---------------------------	----

RISERS MAKING

NAME	COATS BONDED C.F.P.
N° OF REFERENCE	V138
MATERIAL	POLYESTER
TYPE OF FINISH	SILK
BREAKING STRENGTH	9,5 KG
ELONGATION	19%

RISERS TECHNICAL DATA**RISERS**

N° OF REFERENCE	3455
MATERIAL	POLYESTER & TECHNORA
WIDTH	12 M/M
THICKNESS	0,9 M/M
BREAKING STRENGTH	1.078 DAN
ELONGATION	MAX. 11%
WEIGHTH	9,1 G* L.M.
COLOR	BLACK

COLOR INDICATOR

N° OF REFERENCE	IC-G 1-2
MATERIAL	POLYESTER
WIDTH	70 M/M
THICKNESS	0,80 M/M
BREAKING STRENGTH	130 DN
ELONGATION	35 %
WEIGHTH	32 G * L.M.
COLOR	GREEN

LOOPS

N° OF REFERENCE	LKI - 10
MATERIAL	NYLON
WIDTH	10 M/M
BREAKING STRENGTH	84 KG
ELONGATION	30 %
WEIGHTH	5,5 G/M
COLOR	WHITE

Amazing Adventures
niviuk.com



 NIVIUK